

2640N-32V80

10,000 psi working pressure



Construction: Chemical resistant nylon core tube, high strength wire reinforced and a polyurethane outer cover.

Applications: Oilfield Services, Large Flow Delivery Hose

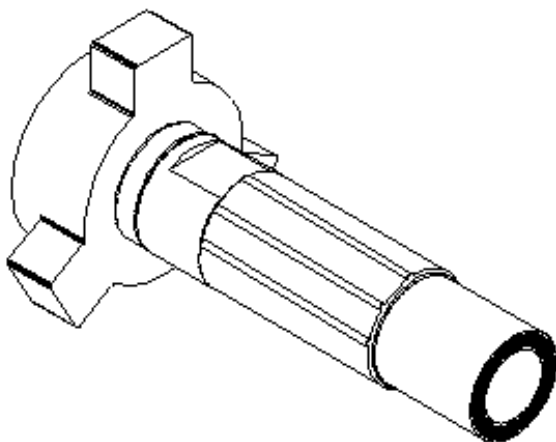
Temperature Range: -40 degrees F and +140 degrees F. Contact **polyflex** for temperatures outside this range.

Fittings: See below.

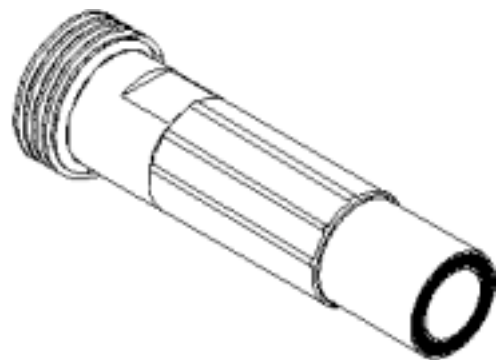
Available as factory-made assemblies only.

I.D. in.	Max. O.D. in	Max. Working Pressure psi	Min. Burst Pressure psi	Min. Bend Radius in.	Weight lbs./ ft
2.00	3.35	10,000	26,100	47.0	5.70

STANDARD END FITTINGS



2" Hammer Union (male cone)
 with Wing Nut Fitting



2" Hammer Union (female cone)
 and Threaded End with Seal

Thread	ID	Max OD	Length	Pressure Rating (psi)	Part #
2" Hammer Union (male cone) with Wing Nut	1.62"	7.5"	10.0"	10,000	6AY5X-32-32-Flat
2" Hammer Union (female cone) Threaded End with Seal	1.62"	4.25"	9.0"	10,000	6YA5X-32-32